



Hiboy **S2** Electric Scooter

VS

Hiboy **S2 SE** Electric Scooter

1) Difference in Material of Frame and Outlook

S2



Aluminum Alloy

S2 SE



Iron

2) Difference in Tire and Wheel Size

S2



8.5" front + rear honeycomb tires

S2 SE



10" front honeycomb tire + rear pneumatic tire

3) Difference in Brake System

S2



Disc Brake

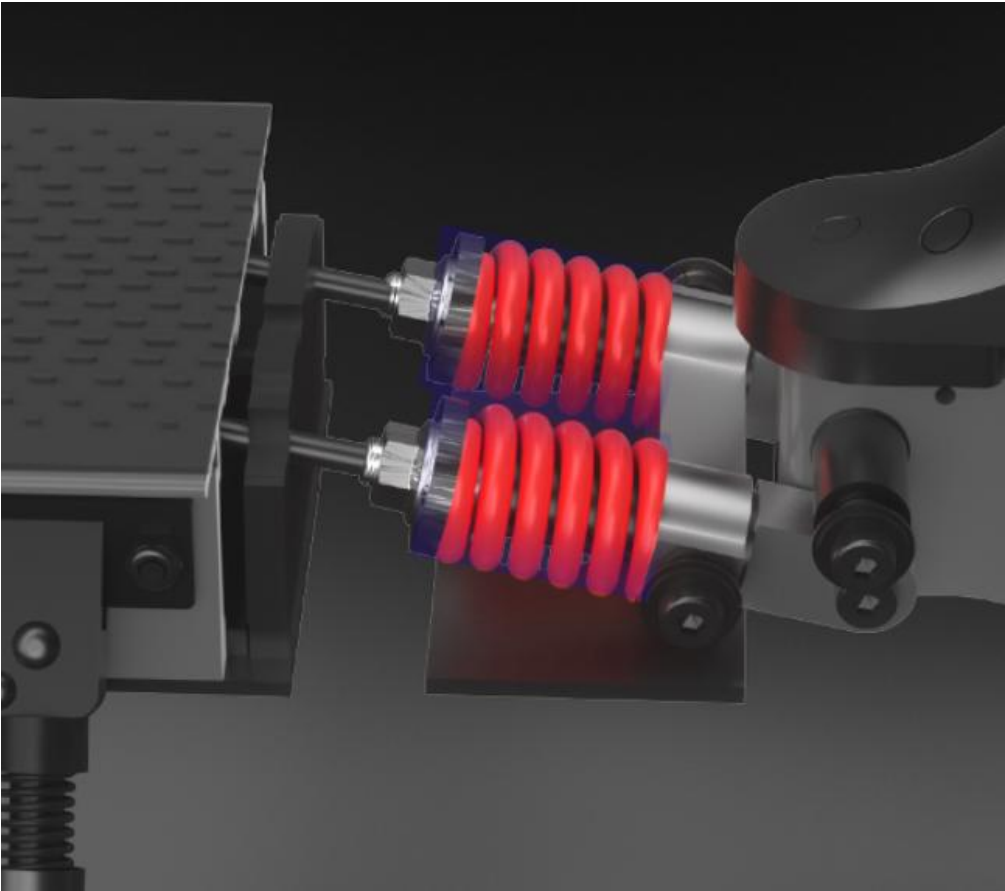
S2 SE



Drum Brake

4) Difference in Suspension

S2



S2 included the rear suspension fork inside the frame, but S2 SE didn't have the suspension.

5) Specification

Specification	S2	S2 SE
Battery Capacity	36V 7.5Ah	36V 7.8Ah
Max Distance	17 miles	17 miles
Max Speed	19 mph	19 mph
Motor	350 W	350 W
Speed Modes	2	2
Max Slope	15°	15°
Max Load	220 lbs	220 lbs
Product Weight	31.7 lbs	37.8 lbs
Fold Size	46.1 × 16.5 × 20.1 in	45.7 × 17.0 × 19.3 in
Unfolded Size	46.1 × 16.5 × 48.8 in	45.7 × 17.0 × 47.2 in